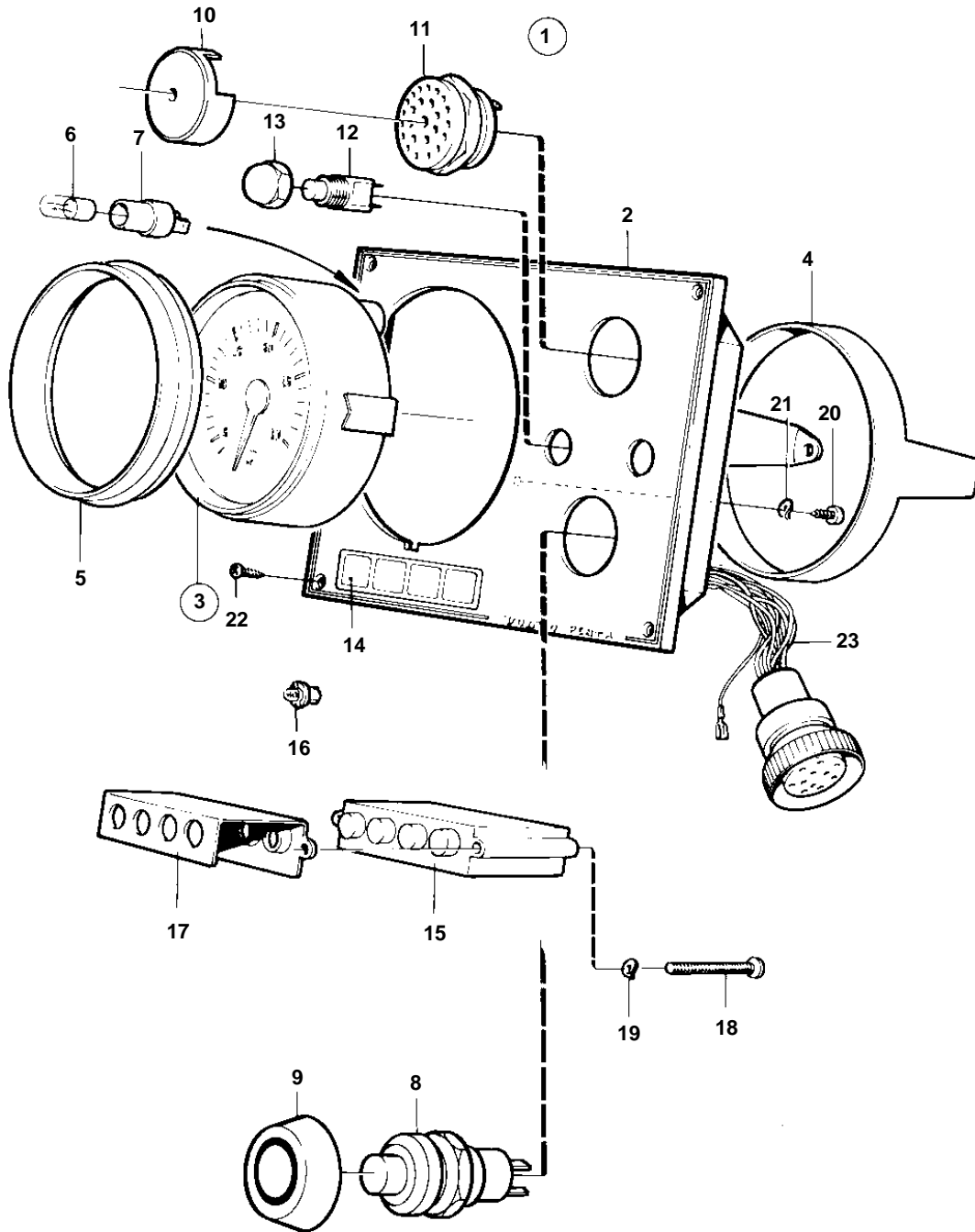


2002,2002B,2003,2003B,2003T,2003TB



8952

2002,2002B,2003,2003B,2003T,2003TB

REF	PART NO.	QTY	DESCRIPTION	SEE SEC.	NOTES
1	859058	1	Instrument panel		WHITE COLOURED DECOR STRIPE.
2	858990	1	· Instrument panel		
3	840886	1	· Tachometer, TACHOMETER KIT W		REPL BY 858557 SEE GROUP 9
4	828558	1	· · Attaching ring		
5	858644	1	· Front ring		
6	19923	1	· Bulb		
7	808175	1	· Bulb socket		
8	843684	1	· Button		
9	837533	1	· Rubber cap		
10	858795	1	· Protecting casing		
11	828587	1	· Buzzer		
12	828584	1	· Switch		ALARM
	828585	1	· Switch		LIGHTING
13	828586	2	· Button		
14	858645	1	· Symbol strip		
15	828783	1	· Electronic unit		
16	19923	3	· Bulb		
17	828784	1	· Reflector		
18	941615	2	· Screw		
19	941904	2	· Spring washer		
20	949947	1	· Screw		
21	941904	1	· Spring washer		
22	828647	4	· Screw		
23	859037	1	· Cable trunk		
		X	CABLES AND CABLE TERMINALS	030-1351	